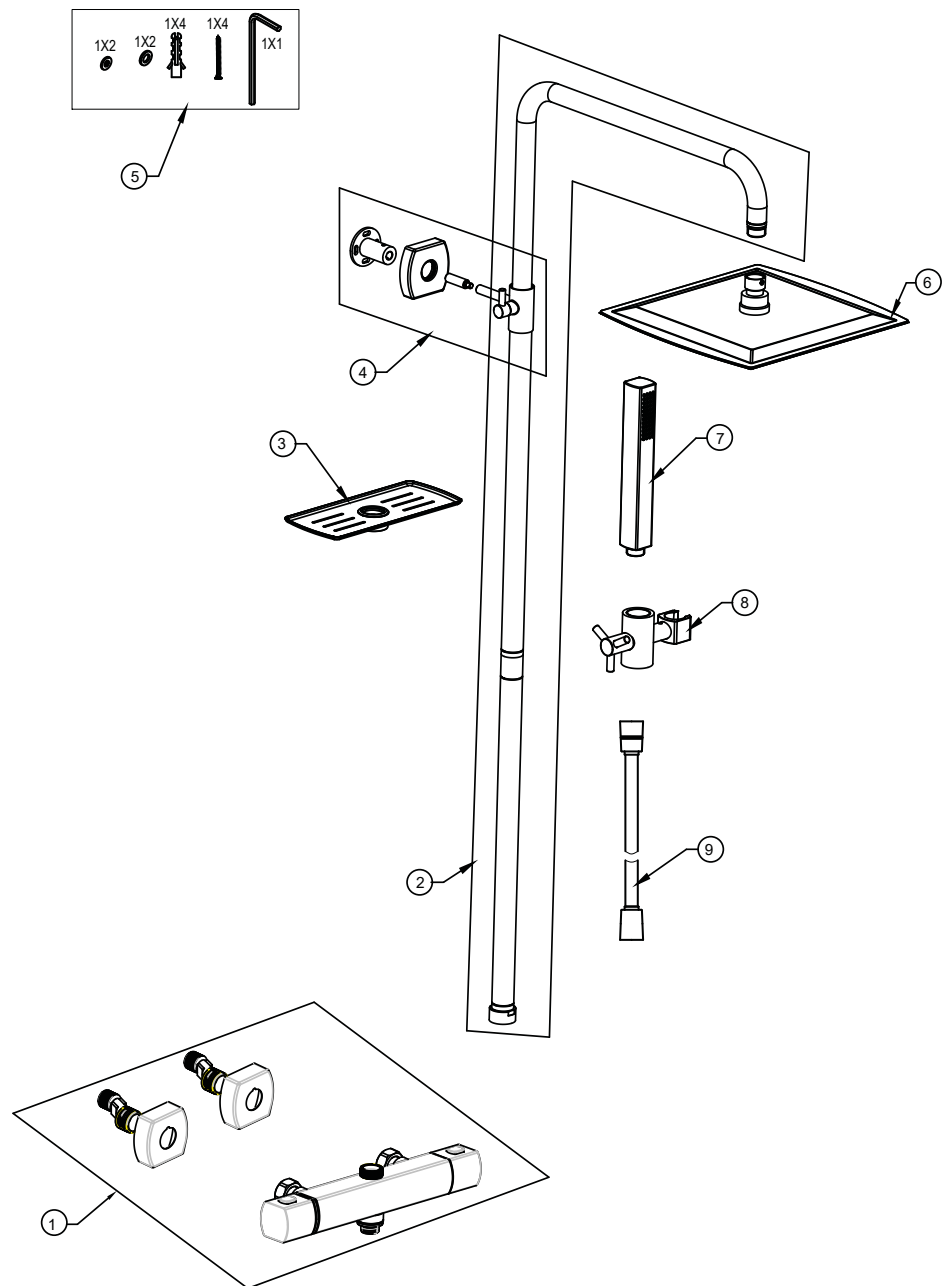


- 1 Body
- 2 Shower column
- 3 Soap shelf
- 4 Fixing parts
- 5 Accessory
- 6 Headshower
- 7 Handshower
- 8 Handshower holder
- 9 hose



Steel Expression 2

Art no: 20210 **RSK:** 8282807

SCANDTAP[®]
BATHROOM CONCEPTS

Scandtap AB, Olofsdalsvägen 21, 302 41 Halmstad, Sweden
info@scandtap.com, www.scandtap.com

