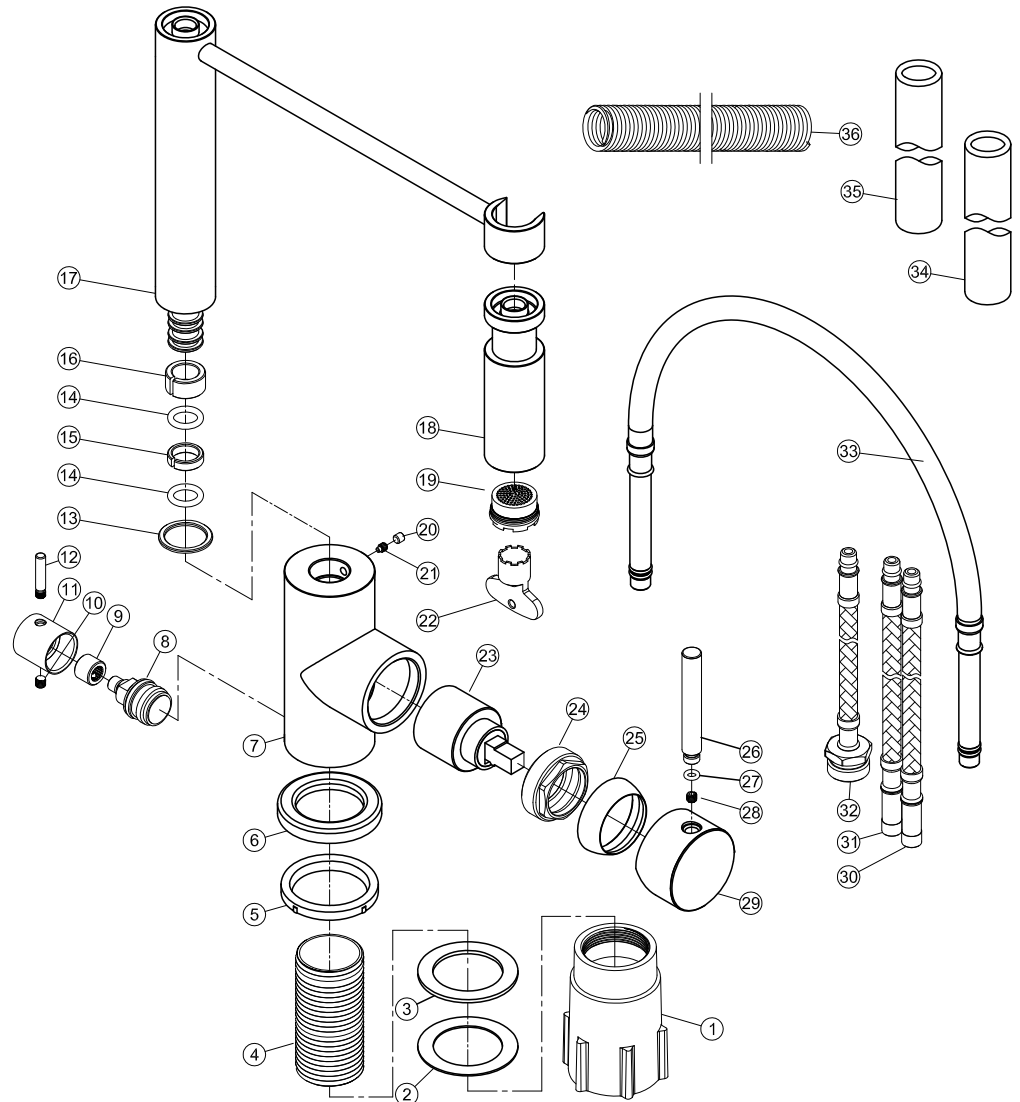


- 1 Fixing bushing
- 2 Washer
- 3 Rubber
- 4 Threaded tube
- 5 Base Rubber
- 6 Base
- 7 Body
- 8 Cartridge
- 9 Splined hub
- 10 Inner hex screw
- 11 Handle base
- 12 Handle bar
- 13 O ring
- 14 O ring
- 15 C ring
- 16 C ring
- 17 Spout
- 18 Spout head
- 19 Aerator
- 20 Decoration rubber
- 21 Inner hex screw
- 22 M24 Wrench
- 23 Cartridge
- 24 Screw nut
- 25 Cover ring
- 26 Handle bar
- 27 O ring
- 28 Inner hex screw
- 29 Handle base
- 30 Flexible hose
- 31 Flexible hose
- 32 Flexible hose
- 33 Spout hose
- 34 Color hose
- 35 Color hose
- 36 Spring hose



Steel Pro Sand D

Art no: 30086 **RSK:** 8311456

SCANDTAP®
BATHROOM CONCEPTS

Scandtap AB, Olofsdalsvägen 21, 302 41 Halmstad, Sweden
info@scandtap.com, www.scandtap.com

