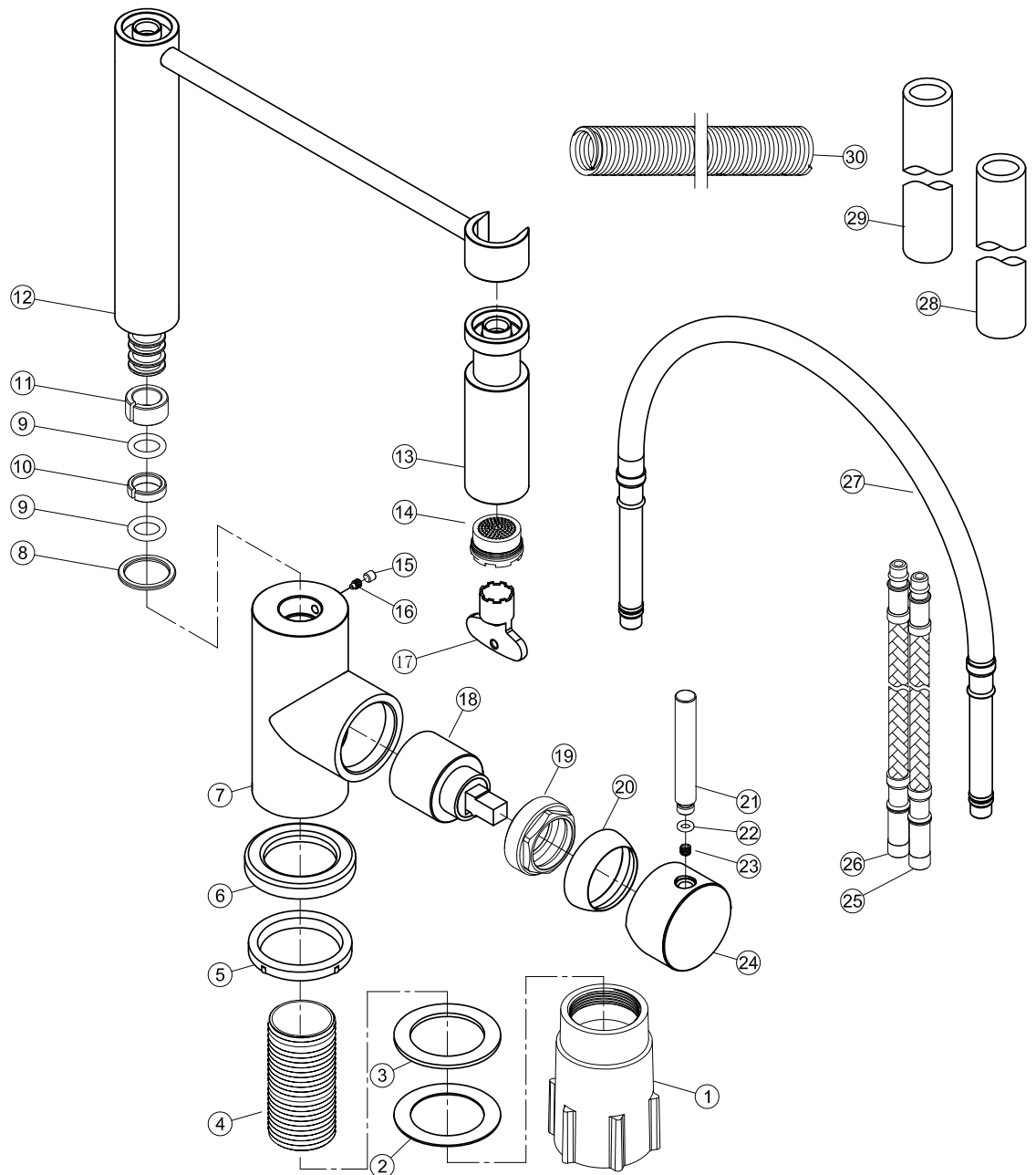


- 1 Fixing bushing
- 2 Washer
- 3 Rubber
- 4 Threaded tube
- 5 Base Rubber
- 6 Base
- 7 Body
- 8 O ring
- 9 O ring
- 10 C ring
- 11 C ring
- 12 Bottom spout
- 13 Spout head
- 14 Aerator
- 15 Decoration rubber
- 16 Inner hex screw
- 17 M24Wrench
- 18 Cartridge
- 19 Screw nut
- 20 Cover ring
- 21 Handle bar
- 22 O ring
- 23 Inner hex screw
- 24 Handle base
- 25 Flexible hose
- 26 Flexible hose
- 27 Spout hose
- 28 Color hose
- 29 Color hose
- 30 Spring hose



Steel Pro Sand

Art no: 30081 **RSK:** 8311453

SCANDTAP®
BATHROOM CONCEPTS

Scandtap AB, Olofsdalsvägen 21, 302 41 Halmstad, Sweden
info@scandtap.com, www.scandtap.com

