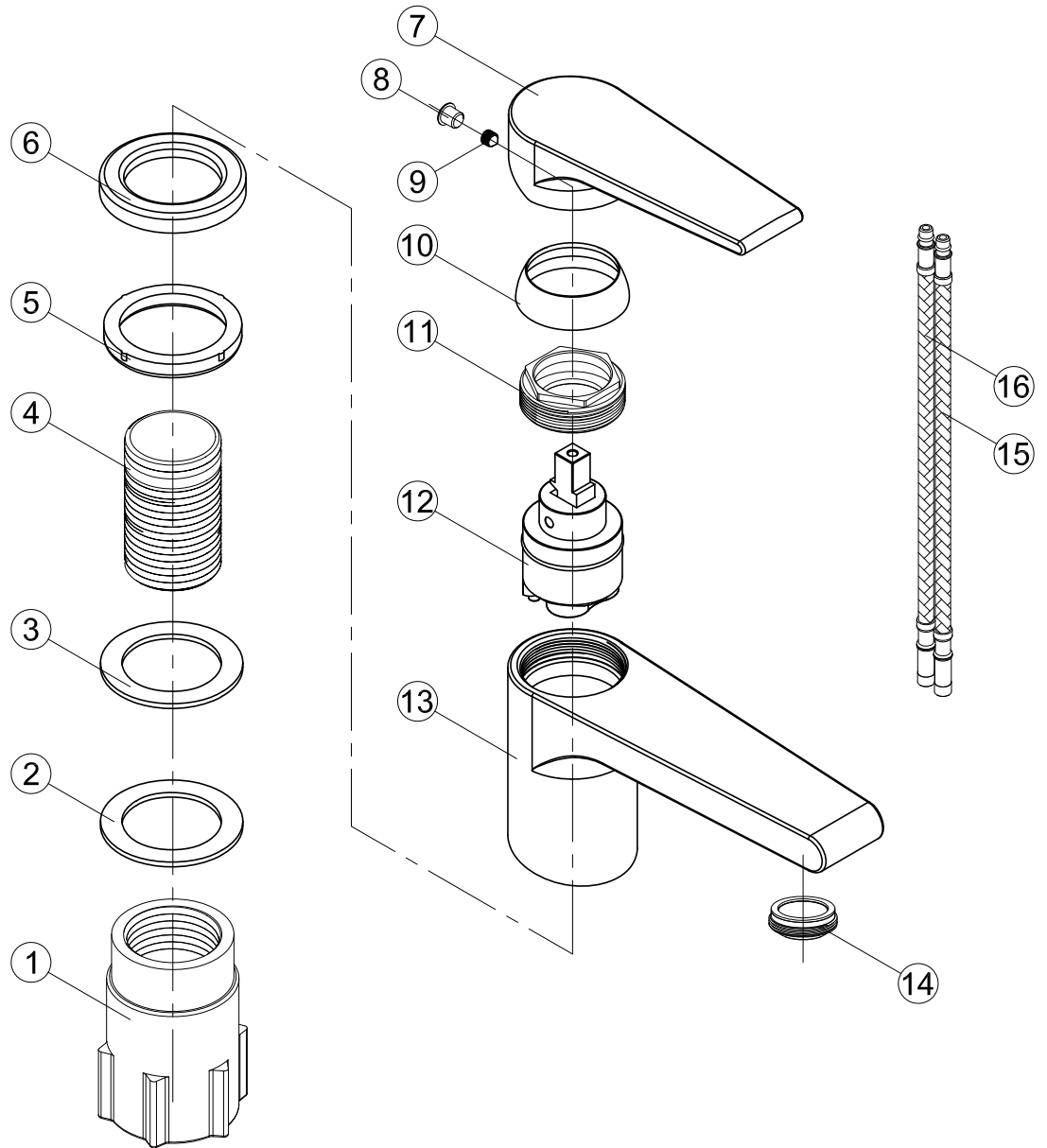


- 1 Fixing bushing
- 2 Washer
- 3 Rubber
- 4 Threaded tube
- 5 Base Rubber
- 6 Base
- 7 Handle
- 8 Decoration cover
- 9 Inner hex screw
- 10 Cover ring
- 11 Screw nut
- 12 Cartridge
- 13 Body
- 14 Aerator
- 15 Flexible hose
- 16 Flexible hose



# Steel Speed

Art no: 10060 RSK: 8344568

**SCANDTAP®**  
BATHROOM CONCEPTS

Scandtap AB, Olofsdalsvägen 21, 302 41 Halmstad, Sweden  
info@scandtap.com, www.scandtap.com

