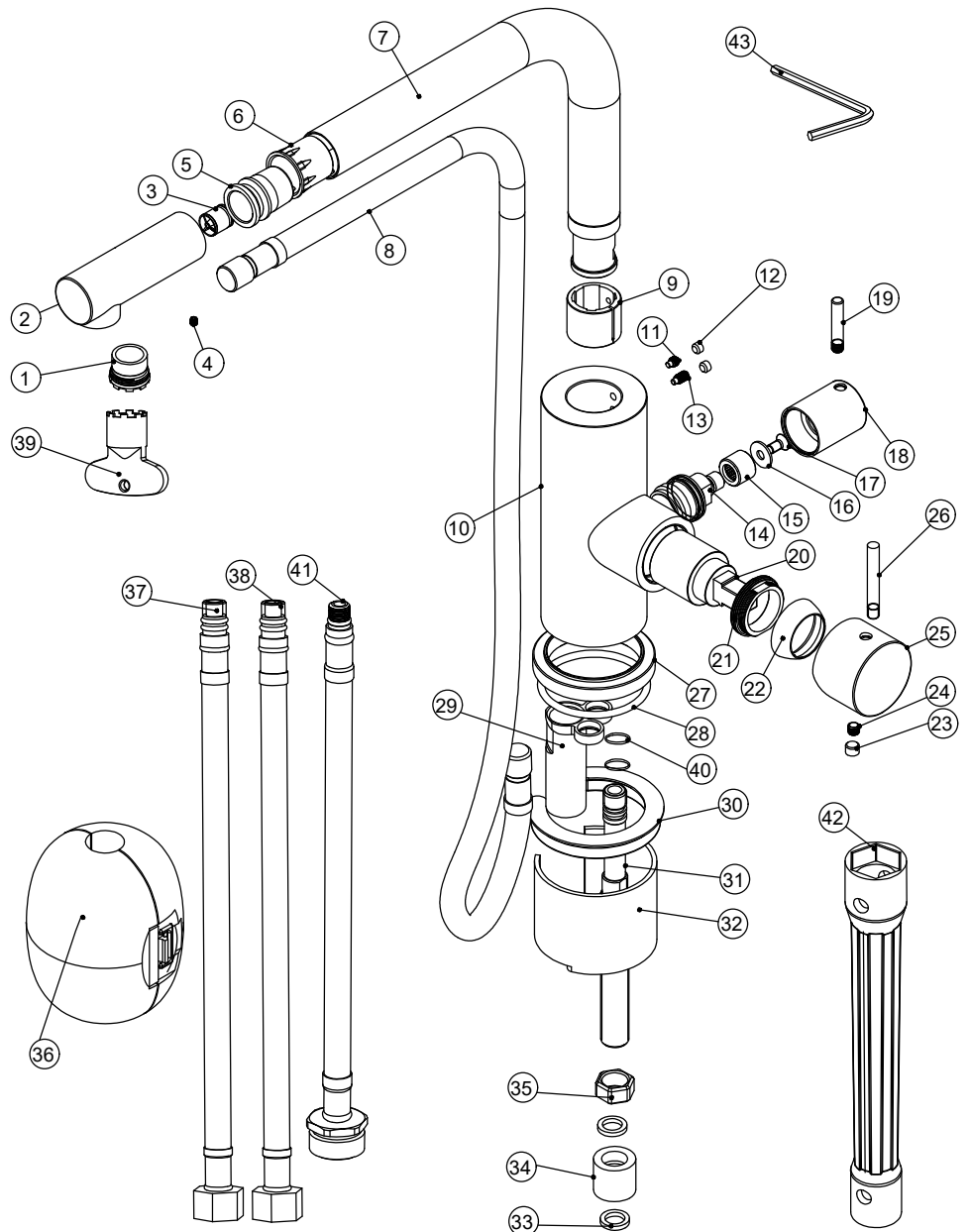


# SCANDTAP

BATHROOM & KITCHEN

Edition: 2024-09-02

- 1 Aerator
- 2 Nozzle
- 3 Check valve
- 4 Hexagonal screw
- 5 Connector
- 6 Pull out bushing component
- 7 Spout
- 8 Pull-out hose
- 9 Rubber ring
- 10 Mixer body
- 11 Hexagonal screw
- 12 Rubber plug
- 13 Hexagonal screw
- 14 Dishwasher control cartridge
- 15 Cartridg cover
- 16 Flat gasket
- 17 Hexagonal screw
- 18 Handle
- 19 Handle bar
- 20 Cartridge
- 21 Cartridge cover
- 22 Decorative cup
- 23 Rubber plug
- 24 Hexagonal screw
- 25 Handle
- 26 Handle bar
- 27 Mixer base
- 28 O-ring
- 29 Protective cover for pull-out hose
- 30 Rubber ring
- 31 Extended pipe
- 32 Screw nut
- 33 Flat rubber ring
- 34 Connector
- 35 Screw nut
- 36 Weight
- 37 Flexible hose
- 38 Flexible hose
- 39 Aerator wrench
- 40 O-ring
- 41 Socket wrench
- 42 Hexagon wrench



## Accent 90 Original D

Art no: 30180 RSK: 8312243