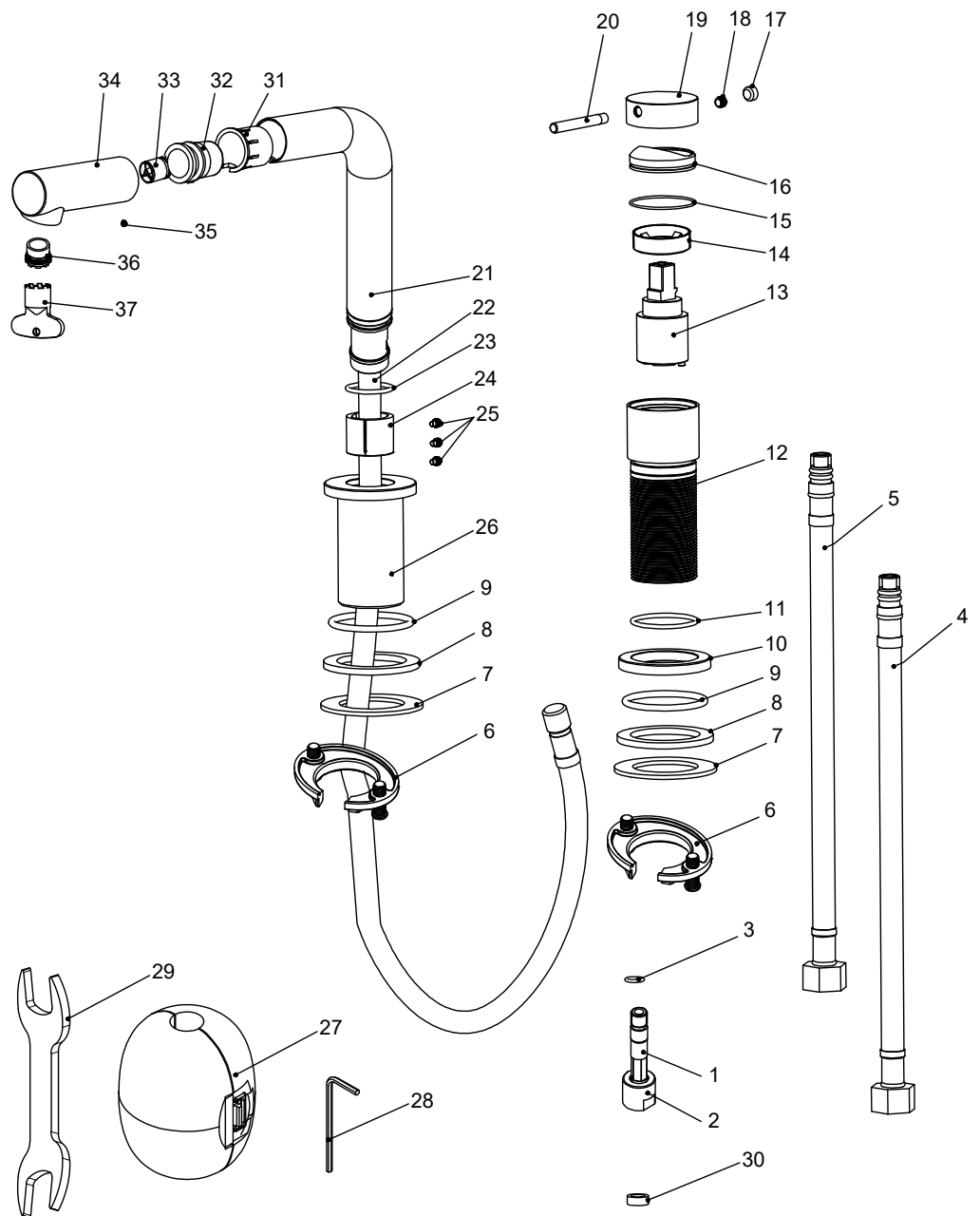


- 1 M8 Extended pipe
- 2 M12*1 Screw
- 3 O-ring
- 4 Flexible hose
- 5 Flexible hose
- 6 Screw nut
- 7 Gasket
- 8 Flat rubber ring
- 9 O-ring
- 10 Mixer base
- 11 O-ring
- 12 Body
- 13 Cartridge
- 14 Cartridge cover
- 15 O-ring
- 16 Decorative cup
- 17 Rubber plug
- 18 Hexagonal screw
- 19 Handle
- 20 Handle bar
- 21 Spout
- 22 Pull-out hose
- 23 O-ring
- 24 Rubber ring
- 25 Hexagonal screw
- 26 Spout base
- 27 Weight
- 28 Hexagon wrench
- 29 Open-end wrench
- 30 Flat rubber ring
- 31 Pull-out bushing
- 32 Connector
- 33 Check valve
- 34 Nozzle
- 35 Hexagonal screw
- 36 Aerator
- 37 Aerator wrench



Harmonized B2P Sand

Art no: 10276 RSK: 8275946