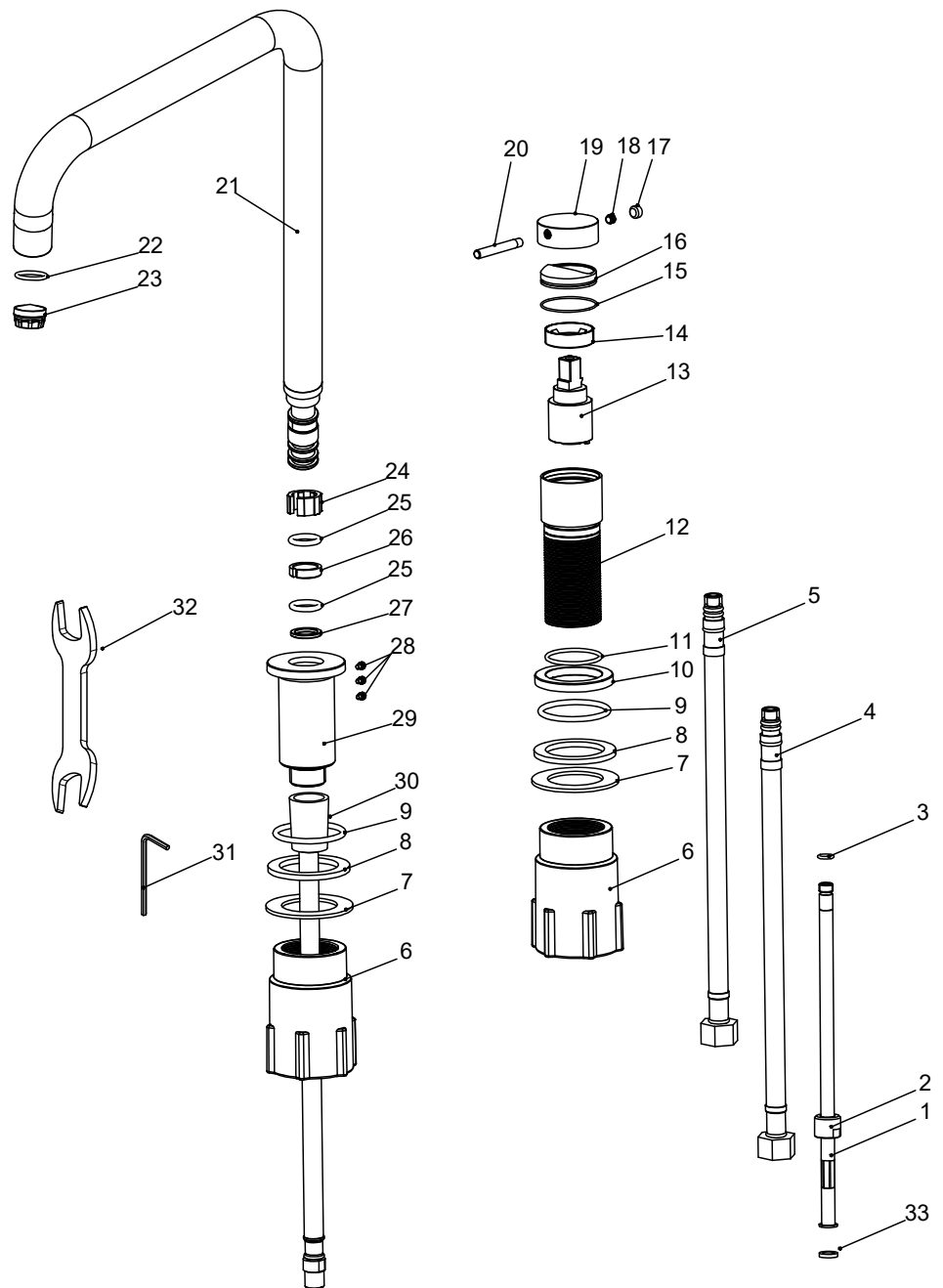


- 1 M8 Extended pipe
- 2 M12*1 Screw
- 3 O-ring
- 4 Flexible hose
- 5 Flexible hose
- 6 Screw nut
- 7 Gasket
- 8 Flat rubber ring
- 9 O-ring
- 10 Mixer base
- 11 O-ring
- 12 Body
- 13 Cartridge
- 14 Cartridge cover
- 15 O-ring
- 16 Decorative cup
- 17 Rubber ring
- 18 Hexagonal screw
- 19 Handle
- 20 Handle bar
- 21 Spout
- 22 O-ring
- 23 Aerator
- 24 Rubber ring
- 25 O-ring
- 26 Rubber ring
- 27 Anti-wear ring
- 28 Hexagonal screw
- 29 Spout base
- 30 Connecting hose
- 31 Hexagon wrench
- 32 Open-end wrench
- 33 Gasket



Harmonized K2 Square Amber

Art no: 30157 RSK: 8312230