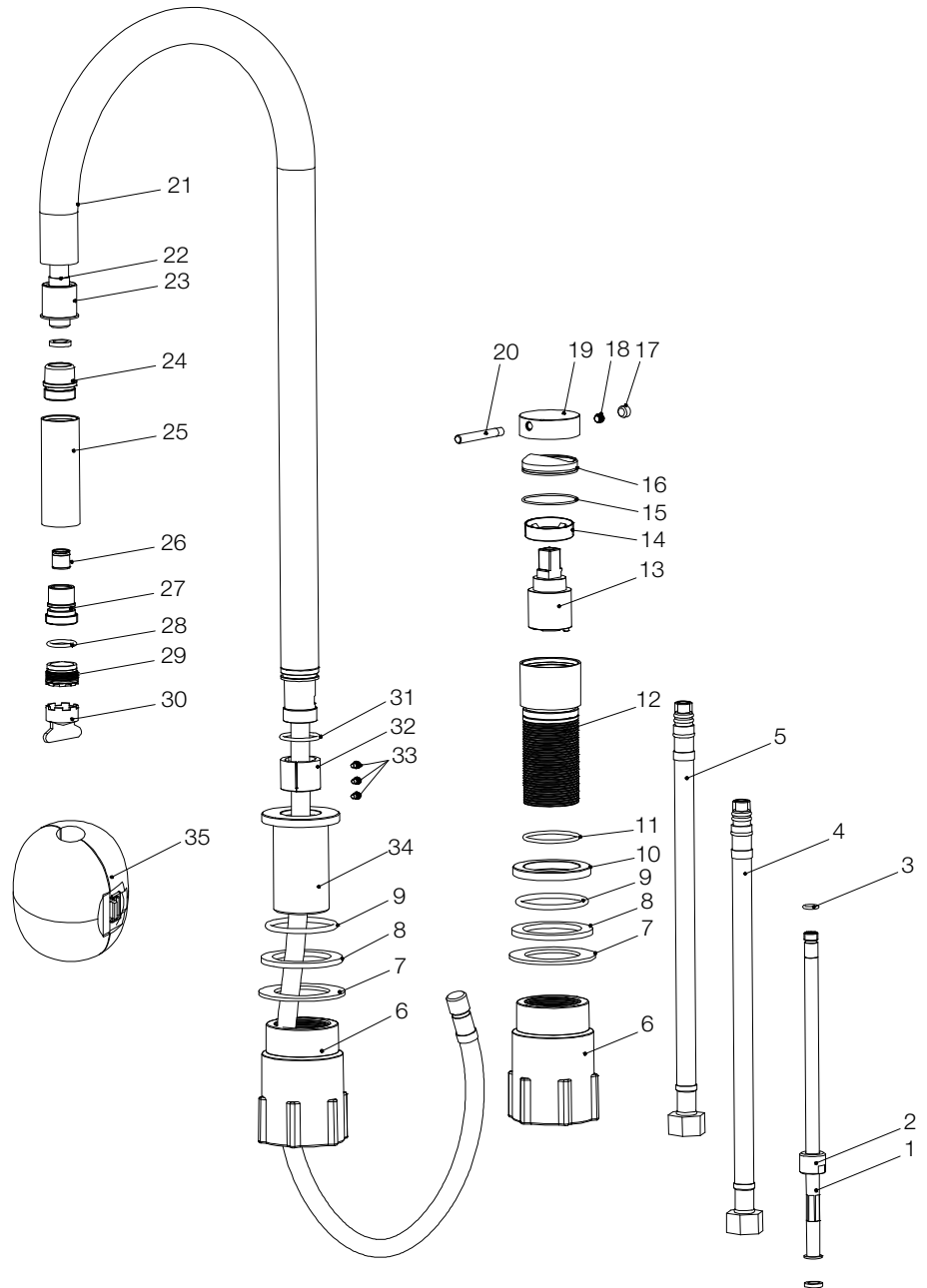


1. Extension pipe
2. Connector
3. o-ring
4. Flexible hose
5. Flexible hose
6. Lock nut
7. Washer
8. Flat washer
9. o-ring
10. Base
11. o-ring
12. Body
13. Cartridge
14. Valve cover
15. o-ring
16. Cover cup
17. Rubber
18. Hex screw
19. Handle base
20. Handle bar
21. Spout
22. Flexible hose
23. Bushing
24. Connector
25. Nozzle body
26. Check valve
27. Connector
28. o-ring
29. Aerator
30. Tool for aerator
31. o-ring
32. Chafing ring
33. Screw
34. Component for spout
35. Weight



Harmonized K2P Amber

Art no: 30147 RSK: 8312122